

**ARCTIC  
CAT<sup>®</sup>**

**2006**

90 Y-12 Youth -  
DVX



Model Number A2006KSB2BUSR (Red)  
Model Number A2006KSB2BUSZ (Cat Green)

Illustrated Parts Manual

# TABLE OF CONTENTS

## 2006 ATV 90 Y-12 Youth - DVX

Red (Model No. A2006KSB2BUSR)

Cat Green (Model No. A2006KSB2BUSZ)

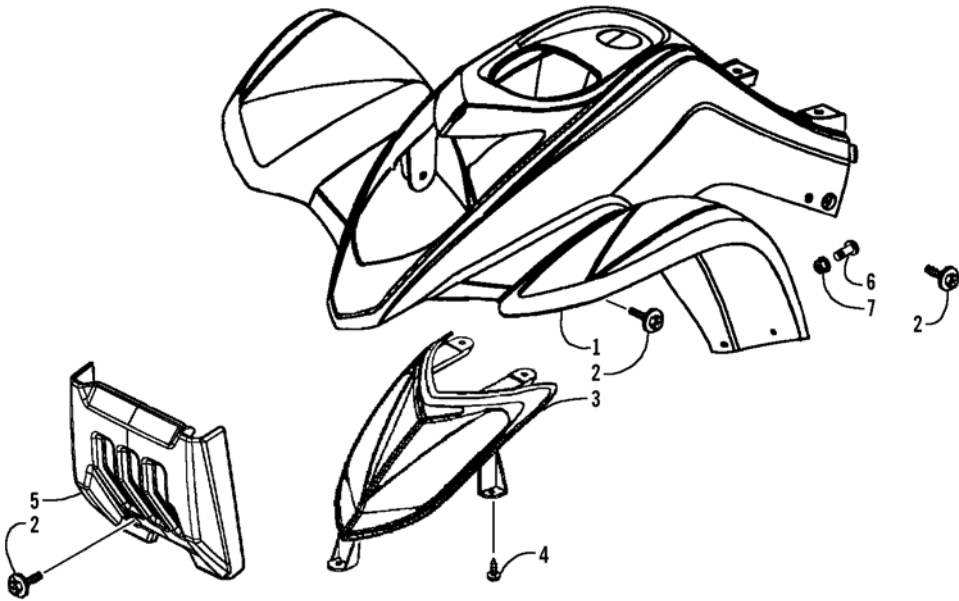
FRONT BODY PANEL ASSEMBLY .....	1
REAR BODY PANEL ASSEMBLY .....	2
DECALS .....	3
FRAME AND RELATED PARTS ASSEMBLY .....	4
KICK STARTER AND PROTECTOR ASSEMBLY .....	5
HANDLEBAR AND CONTROL ASSEMBLY .....	6
HYDRAULIC HAND BRAKE ASSEMBLY .....	7
STEERING POST ASSEMBLY .....	8
FRONT WHEEL AND BRAKE ASSEMBLIES .....	9
REAR WHEEL, AXLE, AND BRAKE ASSEMBLIES .....	10
SUSPENSION ASSEMBLY .....	11
ELECTRICAL AND WIRING HARNESS ASSEMBLY .....	12
BATTERY ASSEMBLY .....	13
SEAT AND TOOL KIT ASSEMBLY .....	14
GAS TANK ASSEMBLY .....	15
TAILLIGHT ASSEMBLY .....	16
AIR INTAKE ASSEMBLY .....	17
EXHAUST ASSEMBLY .....	18
CARBURETOR ASSEMBLY .....	19
PISTON ASSEMBLY .....	20
CYLINDER HEAD ASSEMBLY .....	21
CRANKCASE COVER ASSEMBLY .....	22
CRANKCASE ASSEMBLY .....	23
CLUTCH ASSEMBLIES .....	24
TRANSMISSION ASSEMBLY .....	25
STARTER MOTOR AND OIL PUMP ASSEMBLIES .....	26
STATOR, FLYWHEEL, AND ENGINE SHROUD ASSEMBLIES .....	27
RELATED ITEMS .....	Back Cover

■ **NOTE:** The illustrations used in this Parts Manual are for reference to replacement part numbers only and are not to be used for assembly. For assembly procedures, use an Arctic Cat Service Manual. Underlined part numbers are new for the 2006 model year.

2005 Arctic Cat Inc.

Printed July 2005

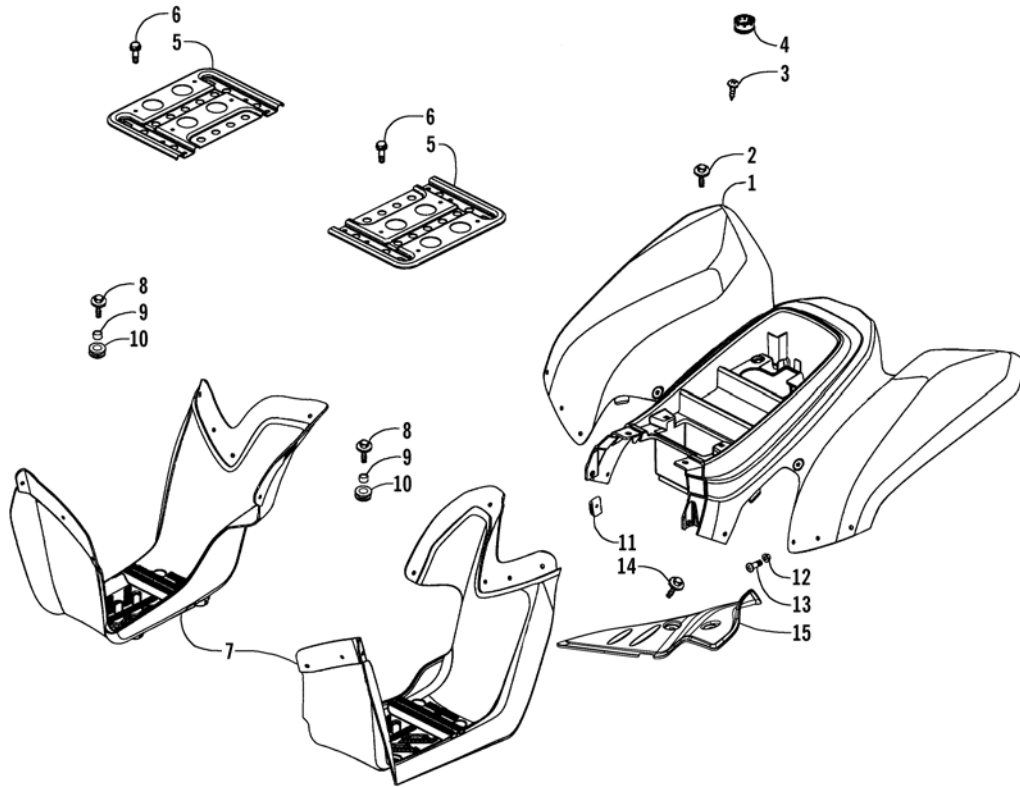
®™ Trademarks of Arctic Cat Inc., Thief River Falls, MN 56701



## FRONT BODY PANEL ASSEMBLY

0740-521

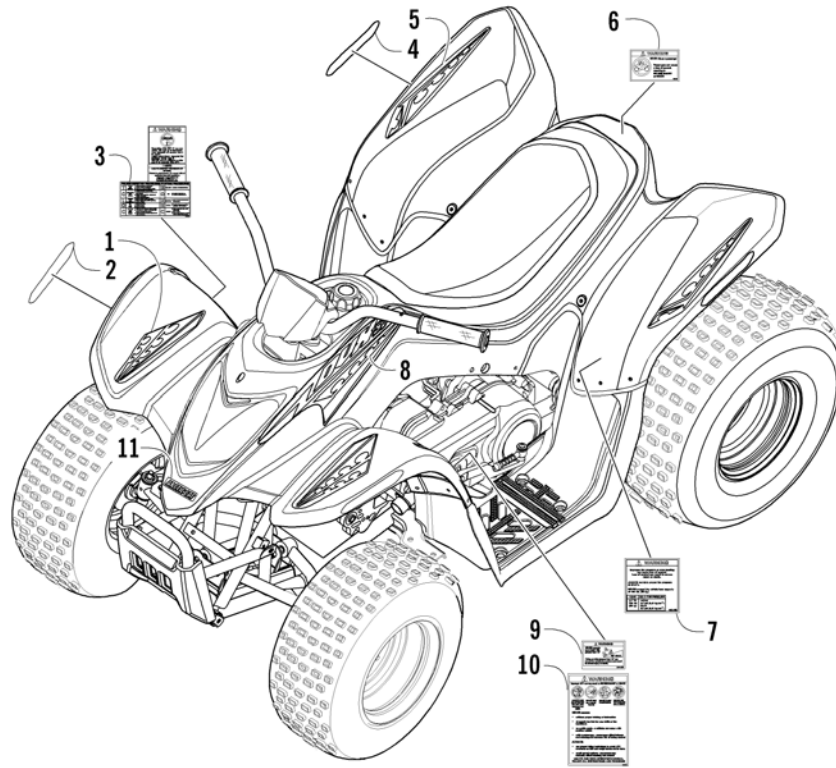
Ref.	Part No.	Qty.	Description	Ref.	Part No.	Qty.	Description
1	<u>3303-450</u>	1	Panel, Body - Front - Red	4	<u>3303-323</u>	5	Screw, Self-Tapping
	<u>3303-451</u>	1	Panel, Body - Front - Cat Green (Cat Green)	5	<u>3303-440</u>	1	Cover, Front Bumper
2	<u>3303-311</u>	8	Bolt w/Washer	6	<u>3303-251</u>	8	Screw
3	<u>3303-452</u>	1	Cover, Front - Red	7	<u>3303-331</u>	8	Nut, Flange
	<u>3303-453</u>	1	Cover, Front - Cat Green (Cat Green)				



## REAR BODY PANEL ASSEMBLY

0740-528

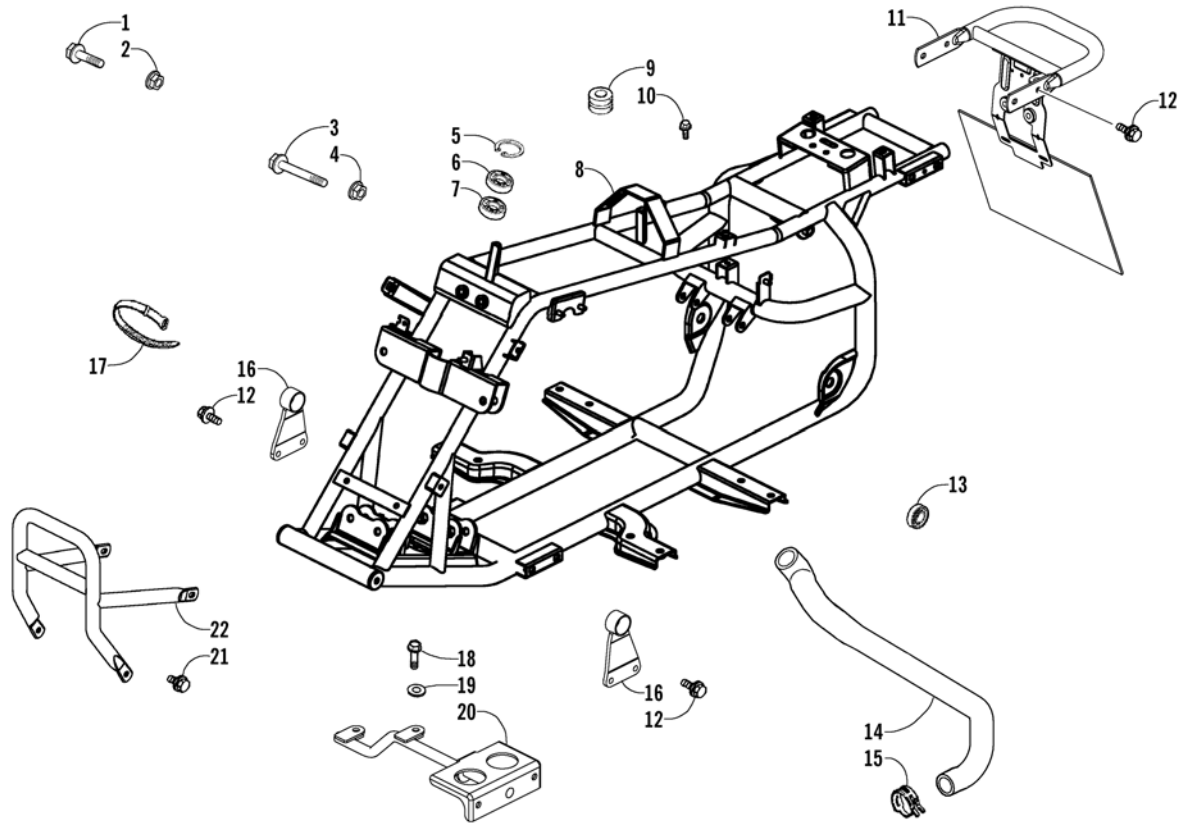
Ref.	Part No.	Qty.	Description	Ref.	Part No.	Qty.	Description
1	<u>3303-454</u>	1	Panel, Body - Rear - Red	8	<u>3303-312</u>	8	Bolt w/Washer
	<u>3303-455</u>	1	Panel, Body - Rear - Cat Green (Cat Green)	9	<u>3303-233</u>	8	Collar, Floor
2	<u>3303-313</u>	3	Bolt w/Washer	10	<u>3303-227</u>	8	Rubber, Wind Screen
3	<u>3303-323</u>	2	Screw, Self-Tapping	11	<u>3303-267</u>	2	Nut, Clip
4	<u>3303-232</u>	2	Rubber, Rear Fender	12	<u>3303-331</u>	10	Nut, Flange
5	<u>3303-186</u>	2	Reinforcement, Floor	13	<u>3303-251</u>	10	Screw
6	<u>3303-366</u>	8	Bolt, Flange	14	<u>3303-311</u>	2	Bolt w/Washer
7	<u>3303-234</u>	1	Mudguard, Right - Assembly	15	<u>3303-237</u>	1	Cover, Side - Assembly
	<u>3303-235</u>	1	Mudguard, Left - Assembly				



## DECALS

0740-627

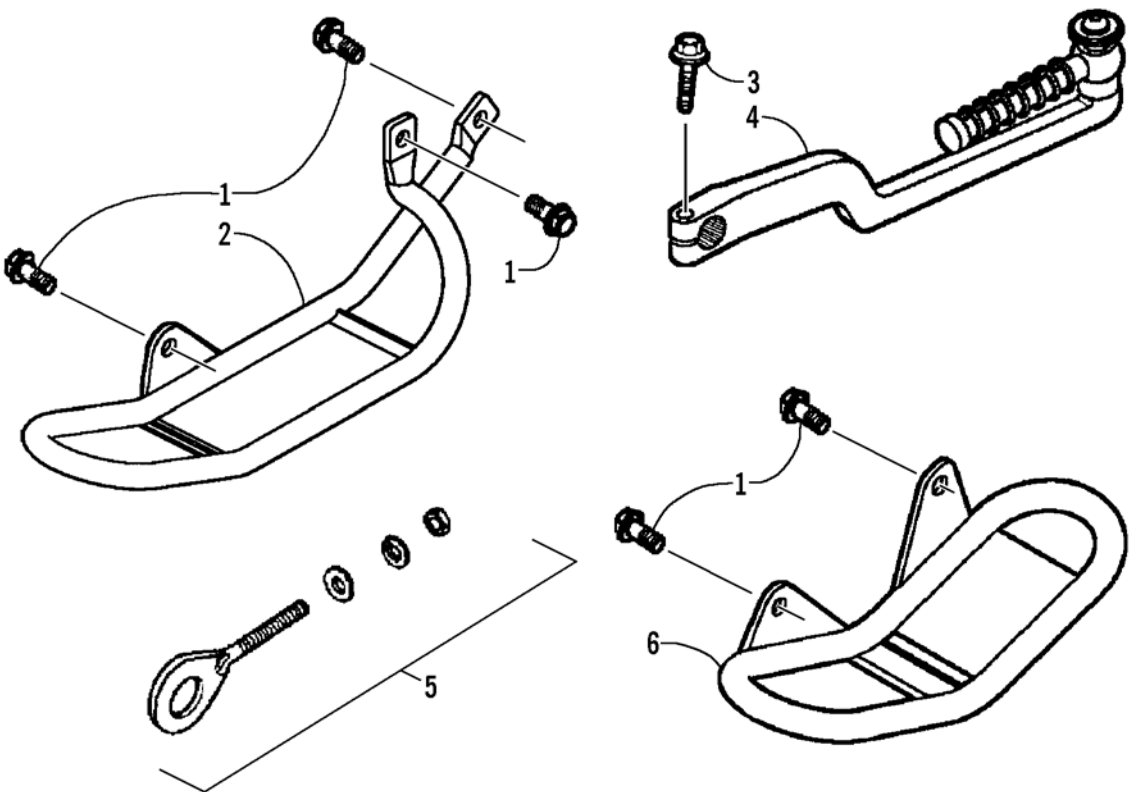
Ref.	Part No.	Qty.	Description	Ref.	Part No.	Qty.	Description
1	<u>1411-090</u>	1	Decal, Graphic - Front Fender - Right	6	0411-435	1	Decal, Warning - Passenger
	<u>1411-091</u>	1	Decal, Graphic - Front Fender - Left	7	0411-455	1	Decal, Warning - Tire/Load
	<u>1411-092</u>	1	Decal, Graphic - Front Fender - Right (Cat Green)	8	<u>1411-104</u>	1	Decal, Graphic - Side - Right
	<u>1411-093</u>	1	Decal, Graphic - Front Fender - Left (Cat Green)		<u>1411-105</u>	1	Decal, Graphic - Side - Left
2	<u>1411-100</u>	2	Reflector, Front		<u>1411-106</u>	1	Decal, Graphic - Side - Right (Cat Green)
3	<u>1411-230</u>	1	Decal, Warning - Reverse/Pre-Ride	9	0411-836	1	Decal, Warning - Hill
4	<u>1411-101</u>	2	Reflector, Rear	10	0411-218	1	Decal, Warning - General
5	<u>1411-086</u>	1	Decal, Graphic - Rear Fender - Right	11	<u>1411-067</u>	1	Decal, Graphic - Front
	<u>1411-087</u>	1	Decal, Graphic - Rear Fender - Left		<u>1411-118</u>	1	Decal, Graphic - Front (Cat Green)
	<u>1411-088</u>	1	Decal, Graphic - Rear Fender - Right (Cat Green)				
	<u>1411-089</u>	1	Decal, Graphic - Rear Fender - Left (Cat Green)				



## FRAME AND RELATED PARTS ASSEMBLY

0740-529

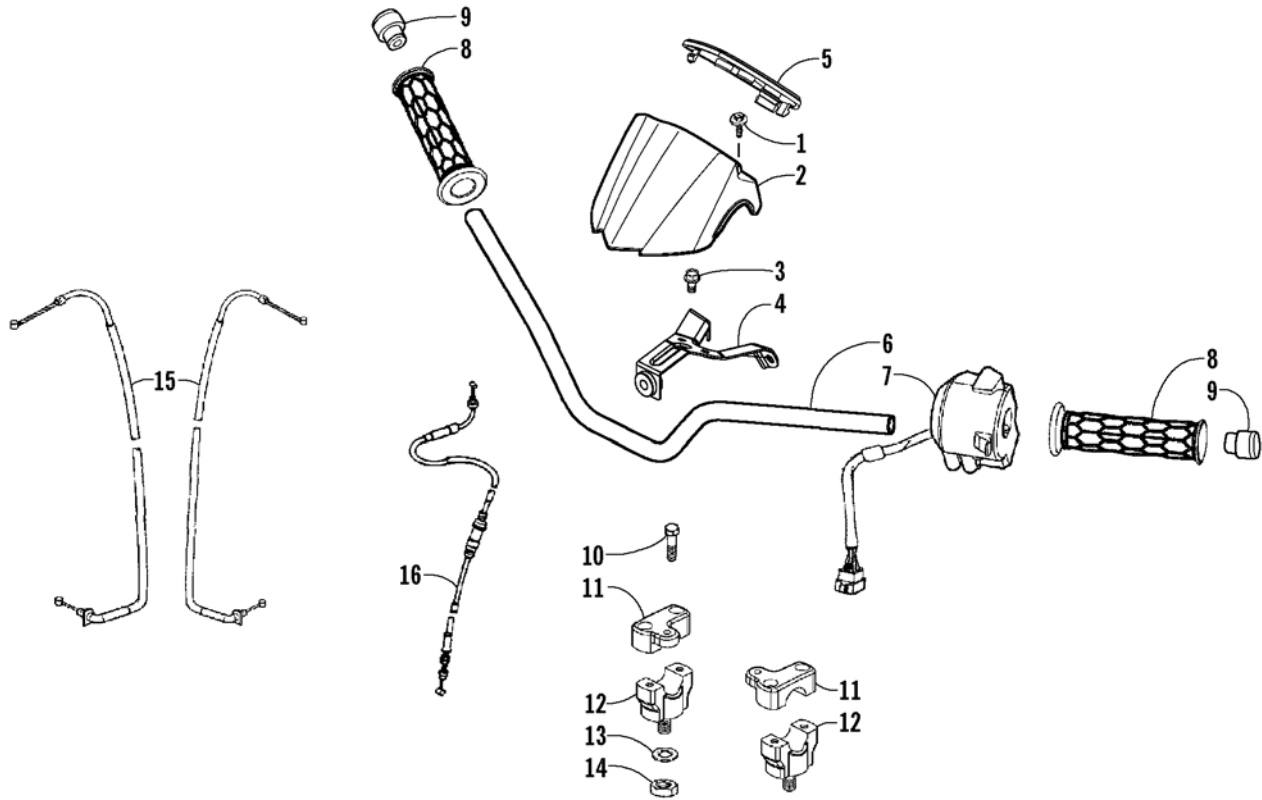
Ref.	Part No.	Qty.	Description	Ref.	Part No.	Qty.	Description
1	<a href="#">3303-616</a>	2	Bolt, Flange	13	<a href="#">3303-392</a>	1	Bearing
2	<a href="#">3303-269</a>	2	Nut, Flange	14	<a href="#">3303-010</a>	1	Hose, Duct
3	<a href="#">3303-378</a>	2	Bolt, Flange	15	<a href="#">3303-074</a>	1	Clamp, Hose
4	<a href="#">3303-265</a>	2	Nut, Flange	16	<a href="#">3303-183</a>	1	Bracket, Engine Hanger - Right
5	<a href="#">3303-347</a>	1	Circlip	16	<a href="#">3303-184</a>	1	Bracket, Engine Hanger - Left
6	<a href="#">3303-295</a>	1	Seal, Oil	17	<a href="#">3303-289</a>	1	Cable Tie
7	<a href="#">3303-298</a>	1	Seal, Oil	18	<a href="#">3303-357</a>	2	Bolt, Flange
8	<a href="#">3303-181</a>	1	Body Frame, Complete	19	<a href="#">3303-238</a>	2	Rubber, Engine - Rear
9	<a href="#">3303-239</a>	2	Rubber, Taillight	20	<a href="#">3303-570</a>	1	Bracket, Side Cover
10	<a href="#">3303-308</a>	1	Bolt, Hex	21	<a href="#">3303-365</a>	4	Bolt, Flange
11	<a href="#">3303-577</a>	1	Grip, Rear - Assembly	22	<a href="#">3303-442</a>	1	Bumper, Front
12	<a href="#">3303-366</a>	8	Bolt, Flange				



## KICK STARTER AND PROTECTOR ASSEMBLY

0740-512

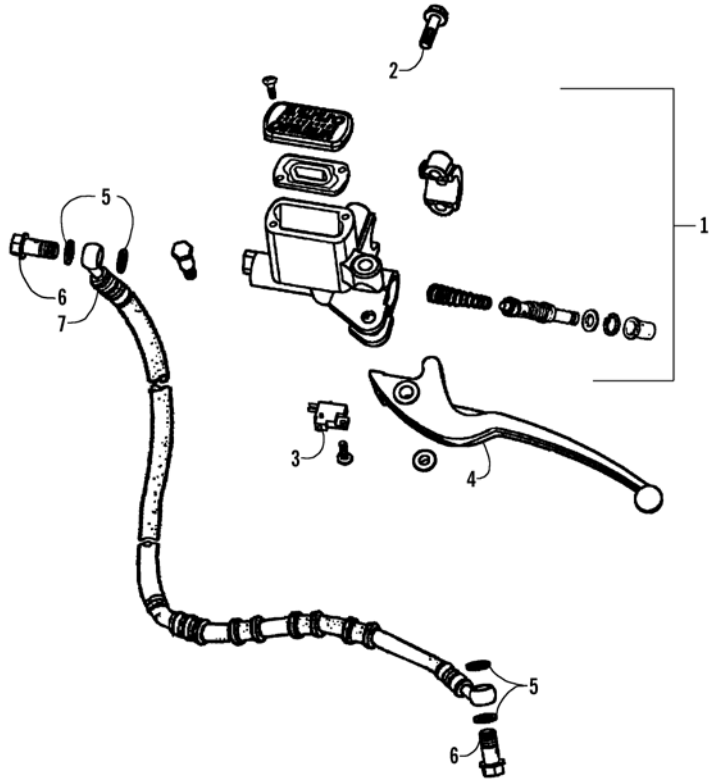
Ref.	Part No.	Qty.	Description	Ref.	Part No.	Qty.	Description
1	<u>3303-373</u>	5	Bolt, Flange	4	<u>3303-549</u>	1	Arm, Kick Starter - Assembly
2	<u>3303-146</u>	1	Protector, Chain	5	<u>3303-147</u>	1	Adjuster, Drive Train - Assembly
3	<u>3303-359</u>	2	Bolt, Flange	6	<u>3303-155</u>	1	Protector, Brake - Rear



## HANDLEBAR AND CONTROL ASSEMBLY

0740-619

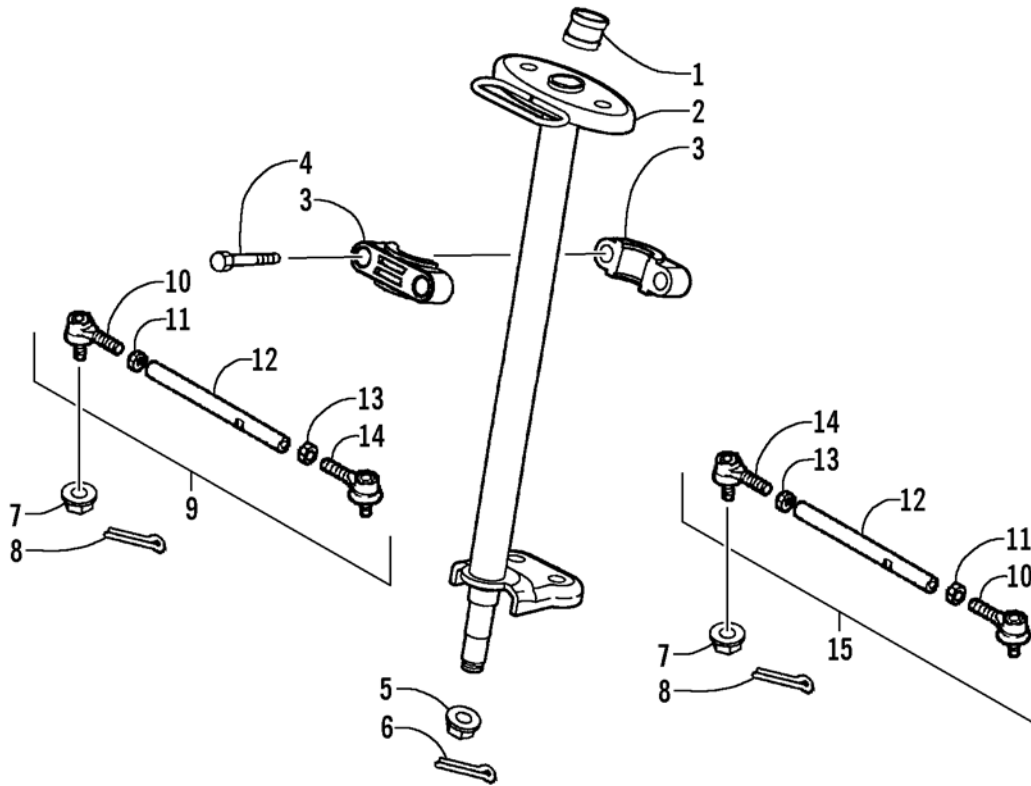
Ref.	Part No.	Qty.	Description	Ref.	Part No.	Qty.	Description
1	<a href="#">3303-263</a>	2	Bolt w/Washer	10	<a href="#">3303-398</a>	4	Bolt
2	<a href="#">3303-436</a>	1	Cover, Handlebar	11	<a href="#">3303-197</a>	1	Holder, Handlebar - Upper - Right
3	<a href="#">3303-357</a>	2	Bolt, Flange		<a href="#">3303-198</a>	1	Holder, Handlebar - Upper - Left
4	<a href="#">3303-435</a>	1	Bracket, Handlebar Cover	12	<a href="#">3303-199</a>	2	Holder, Handlebar - Lower
5	<a href="#">3303-437</a>	1	Lid, Handlebar Cover	13	<a href="#">3303-336</a>	2	Washer
6	<a href="#">3303-434</a>	1	Handlebar	14	<a href="#">3303-325</a>	2	Nut, Hex
7	<a href="#">3303-424</a>	1	Switch, Handlebar - Left - Assembly	15	<a href="#">3303-173</a>	2	Cable, Brake - Front
8	<a href="#">3303-203</a>	2	Grip, Handlebar	16	<a href="#">3303-069</a>	1	Cable, Throttle
9	<a href="#">3303-196</a>	2	End Cap, Handlebar				



## HYDRAULIC HAND BRAKE ASSEMBLY

0740-519

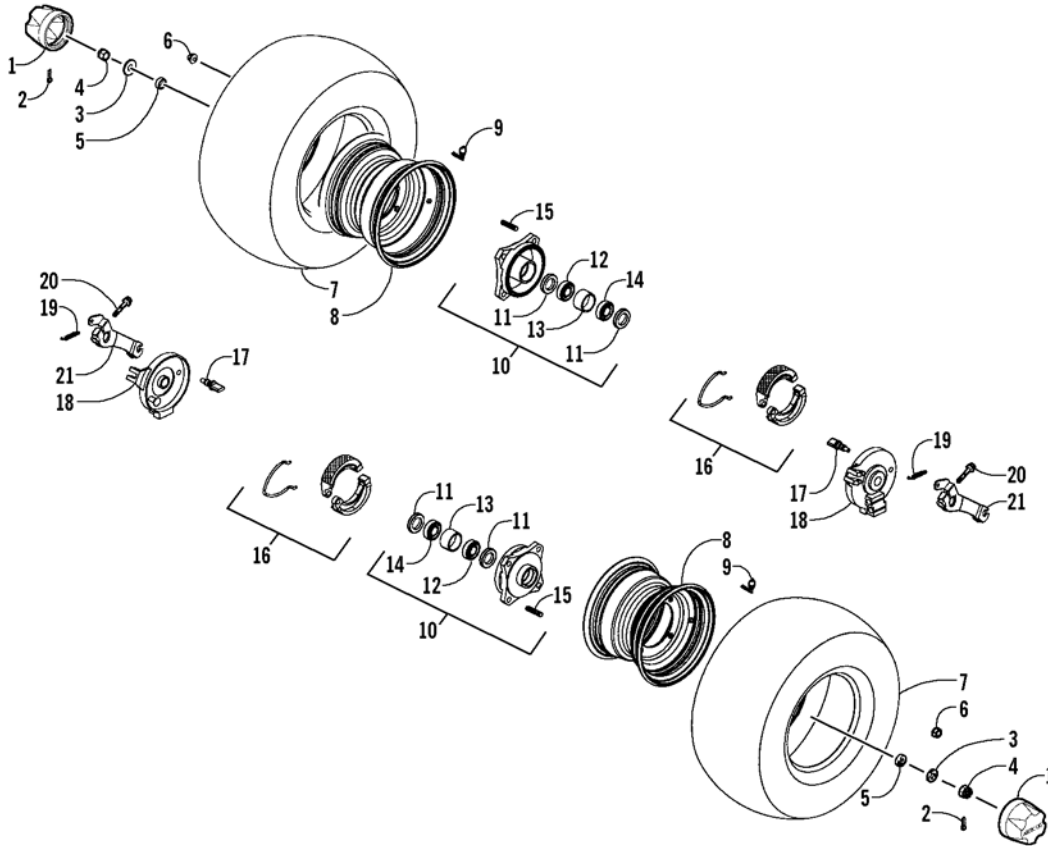
Ref.	Part No.	Qty.	Description	Ref.	Part No.	Qty.	Description
1	<u>3303-163</u>	1	Brake, Master Cylinder - Assembly	5	<u>3304-284</u>	4	Washer, Crush
2	<u>3303-359</u>	2	Bolt, Flange	6	<u>3304-257</u>	2	Bolt, Banjo Fitting
3	<u>3303-141</u>	1	Switch Assembly	7	<u>3303-160</u>	1	Hose, Brake - Assembly
4	<u>3303-206</u>	1	Lever				



## STEERING POST ASSEMBLY

0740-505

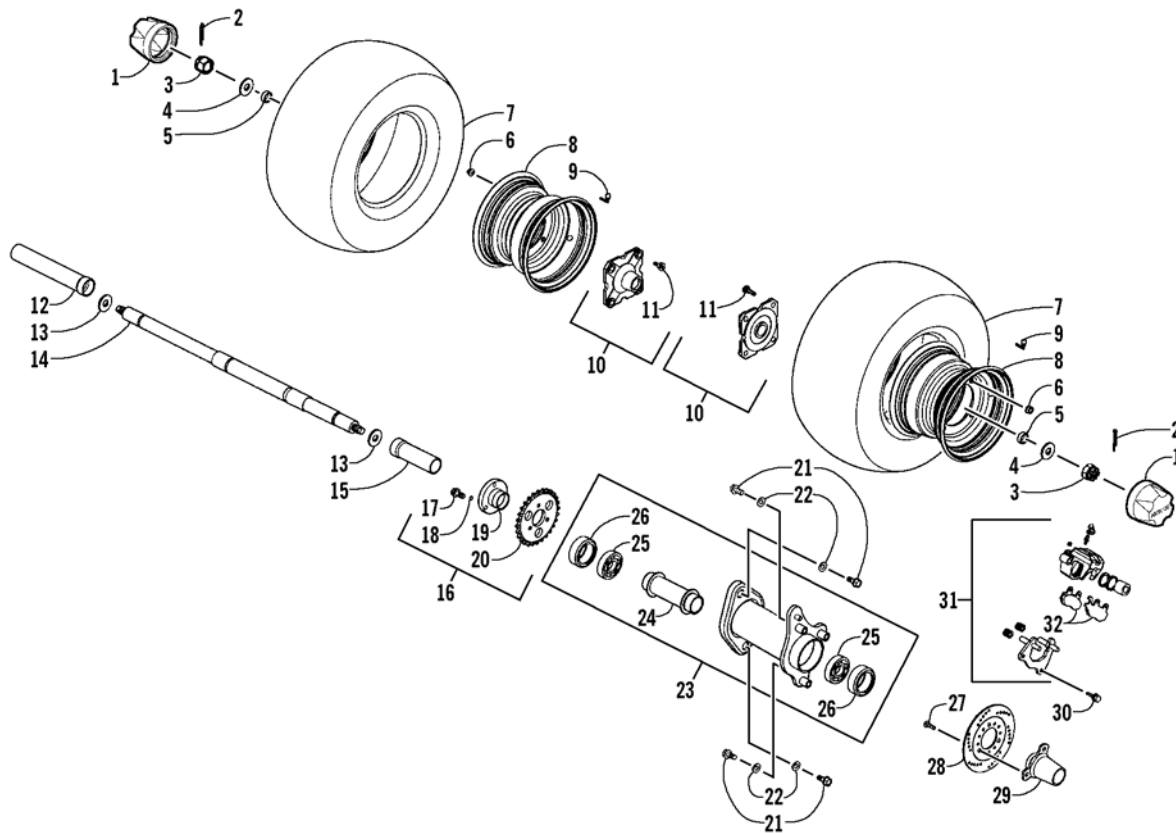
Ref.	Part No.	Qty.	Description	Ref.	Part No.	Qty.	Description
1	<a href="#">3303-214</a>	1	Sleeve, Steering Post	9	<a href="#">3303-448</a>	1	Tie Rod Assembly - Right (inc. one No. 10-14)
2	<a href="#">3303-572</a>	1	Post, Steering	10	<a href="#">3303-223</a>	2	¥ Ball Joint, Tie Rod - Right
3	<a href="#">3303-213</a>	2	Holder, Steering Post	11	<a href="#">3303-327</a>	2	¥ Nut, Hex
4	<a href="#">3303-372</a>	2	Bolt, Flange	12	<a href="#">3303-222</a>	2	¥ Tie Rod
5	<a href="#">3304-032</a>	1	Nut	13	<a href="#">3303-326</a>	2	¥ Nut, Hex
6	<a href="#">3303-470</a>	1	Pin, Cotter	14	<a href="#">3303-224</a>	2	¥ Ball Joint, Tie Rod - Left
7	<a href="#">3303-266</a>	4	Nut, Flange	15	<a href="#">3303-449</a>	1	Tie Rod Assembly - Left (inc. one No. 10-14)
8	<a href="#">3303-621</a>	4	Pin, Cotter				



## FRONT WHEEL AND BRAKE ASSEMBLIES

0740-520 \*Not a Service Part

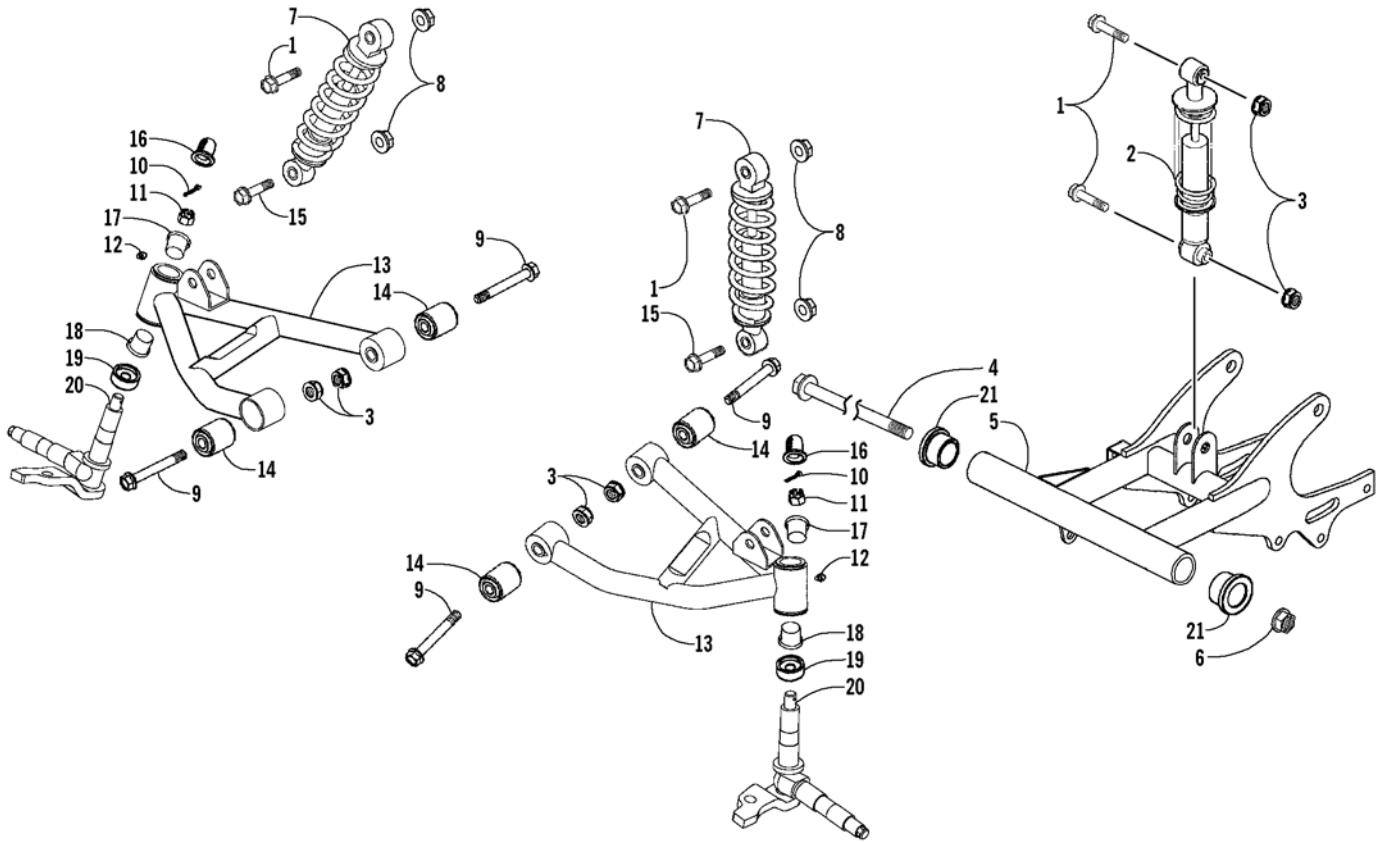
Ref.	Part No.	Qty.	Description	Ref.	Part No.	Qty.	Description
1	<u>3303-430</u>	2	Cap, Wheel Shaft	13	<u>3303-445</u>	2	¥ Collar, Front - Disc
2	<u>3303-470</u>	2	Pin, Cotter	14	<u>3303-467</u>	1	¥ Bearing, Ball - Radial
3	<u>3303-279</u>	2	Washer - 12 mm	15	<u>3303-463</u>	4	¥ Bolt, Stud
4	<u>3303-330</u>	2	Nut, Flange Castle	16	<u>3303-169</u>	1	Shoe, Front - Assembly
5	<u>3303-164</u>	2	Collar, Wheel - Front	17	<u>3303-170</u>	2	Cam, Front Brake
6	<u>3303-266</u>	8	Nut, Flange	18	<u>3303-168</u>	1	Panel - Front - Right
7	<u>3303-429</u>	2	Tire - Assembly		<u>3303-176</u>	1	Panel - Front - Left
8	<u>3303-166</u>	2	Rim - Assembly (inc. 9)	19	<u>3303-172</u>	2	Spring, Return
9	*	2	¥ Valve, Rim	20	<u>3303-355</u>	2	Bolt, Flange
10	<u>3303-165</u>	2	Hub, Front - Assembly (inc. 11-15)	21	<u>3303-171</u>	1	Arm, Brake - Right
11	<u>3303-456</u>	2	¥ Seal, Dust		<u>3303-177</u>	1	Arm, Brake - Left
12	<u>3303-468</u>	1	¥ Bearing, Ball - Radial				



## REAR WHEEL, AXLE, AND BRAKE ASSEMBLIES

0740-523 \*Not a Service Part

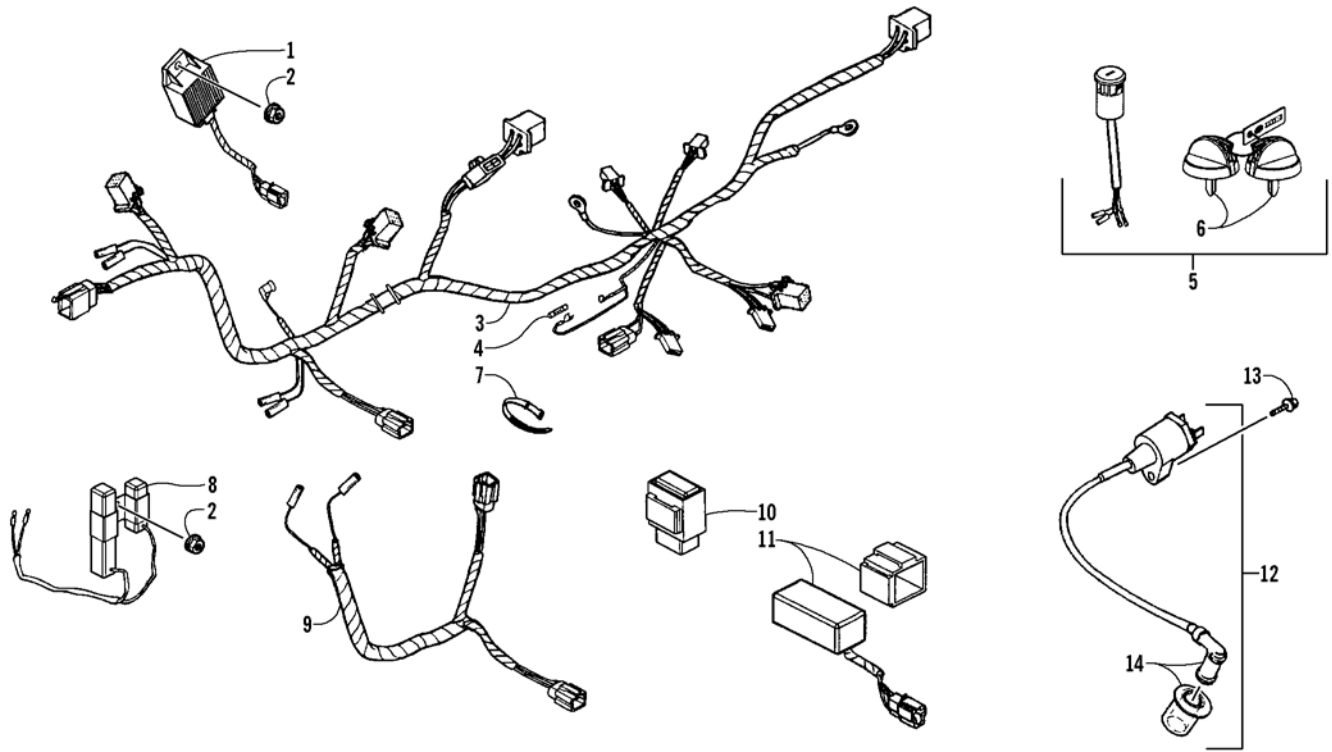
Ref.	Part No.	Qty.	Description	Ref.	Part No.	Qty.	Description
1	<a href="#">3303-430</a>	2	Cap, Wheel Shaft	17	<a href="#">3303-368</a>	3	¥ Bolt, Flange
2	<a href="#">3303-470</a>	2	Pin, Cotter	18	<a href="#">3303-607</a>	3	¥ Washer, Spring
3	<a href="#">3303-330</a>	2	Nut, Flange Castle	19	<a href="#">3303-149</a>	1	¥ Holder, Sprocket
4	<a href="#">3303-335</a>	2	Washer	20	<a href="#">3303-426</a>	1	¥ Sprocket, Final Drive
5	<a href="#">3303-164</a>	2	Collar, Wheel	21	<a href="#">3303-379</a>	4	Bolt, Flange
6	<a href="#">3303-266</a>	8	Nut, Flange	22	<a href="#">3303-281</a>	4	Washer
7	<a href="#">3303-428</a>	2	Tire - Rear	23	<a href="#">3303-154</a>	1	Hub, Rear - Assembly (inc. 24-26)
8	<a href="#">3303-156</a>	2	Rim - Assembly (inc. 9)	24	<a href="#">3303-427</a>	1	¥ Collar, Hub - Right
9	*	2	¥ Valve, Rim	25	<a href="#">3303-466</a>	2	¥ Bearing
10	<a href="#">3303-157</a>	2	Connector - Assembly (inc. 11)	26	*	2	¥ Seal, Dust
11	<a href="#">3303-250</a>	8	¥ Bolt, Connector	27	<a href="#">3303-253</a>	3	Bolt, Disc
12	<a href="#">3303-152</a>	1	Spacer, Rear Wheel - Right	28	<a href="#">3303-162</a>	1	Disc, Brake - Rear
13	<a href="#">3303-280</a>	2	Washer	29	<a href="#">3303-427</a>	1	Collar, Hub - Rear
14	<a href="#">3303-151</a>	1	Shaft, Rear Wheel	30	<a href="#">3303-256</a>	3	Bolt, Flange
15	<a href="#">3303-153</a>	1	Spacer, Rear Wheel - Left	31	<a href="#">3303-568</a>	1	Caliper, Rear - Assembly (inc. 32)
16	<a href="#">3303-566</a>	1	Sprocket, Final Drive - Assembly (inc. 17-20)	32	<a href="#">3303-446</a>	1	¥ Pad, Brake - Assembly



## SUSPENSION ASSEMBLY

0740-624

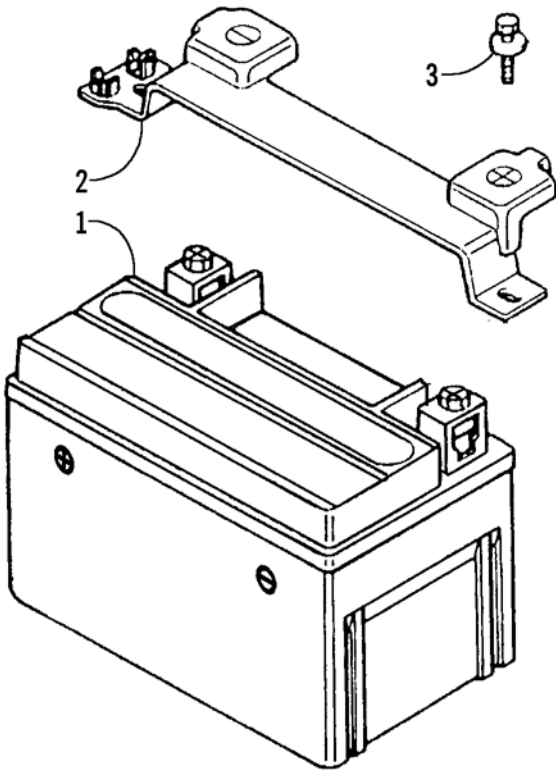
Ref.	Part No.	Qty.	Description	Ref.	Part No.	Qty.	Description
1	<a href="#">3303-376</a>	4	Bolt, Flange	13	<a href="#">3303-438</a>	1	Arm, Swing - Set - Front Right (inc. 14)
2	<a href="#">3303-433</a>	1	Shock, Rear - Assembly		<a href="#">3303-439</a>	1	Arm, Swing - Set - Front Left (inc. 14)
3	<a href="#">3303-265</a>	6	Nut, Flange	14	<a href="#">3303-216</a>	4	¥ Bushing, Swing Arm
4	<a href="#">3303-150</a>	1	Axle, Rear Fork	15	<a href="#">3303-309</a>	2	Bolt, Hex
5	<a href="#">3303-432</a>	1	Fork, Rear - Assembly	16	<a href="#">3303-219</a>	2	Cap, Swing Arm
6	<a href="#">3304-032</a>	1	Nut	17	<a href="#">3303-218</a>	2	Bushing, Swing Arm - Top
7	<a href="#">3303-431</a>	2	Shock, Front - Assembly	18	<a href="#">3303-217</a>	2	Bushing, Swing Arm - Bottom
8	<a href="#">3303-333</a>	4	Nut, Flange	19	<a href="#">3303-220</a>	2	Seal, Swing Arm
9	<a href="#">3303-377</a>	4	Bolt, Flange	20	<a href="#">3303-178</a>	1	Shaft, Steering - Right
10	<a href="#">3303-337</a>	2	Pin, Cotter		<a href="#">3303-180</a>	1	Shaft, Steering - Left
11	<a href="#">3303-329</a>	2	Nut, Flange Castle	21	<a href="#">3303-191</a>	2	Bushing, Rear Fork
12	<a href="#">3303-393</a>	2	Fitting, Grease				



## ELECTRICAL AND WIRING HARNESS ASSEMBLY

0740-527 \*Not a Service Part

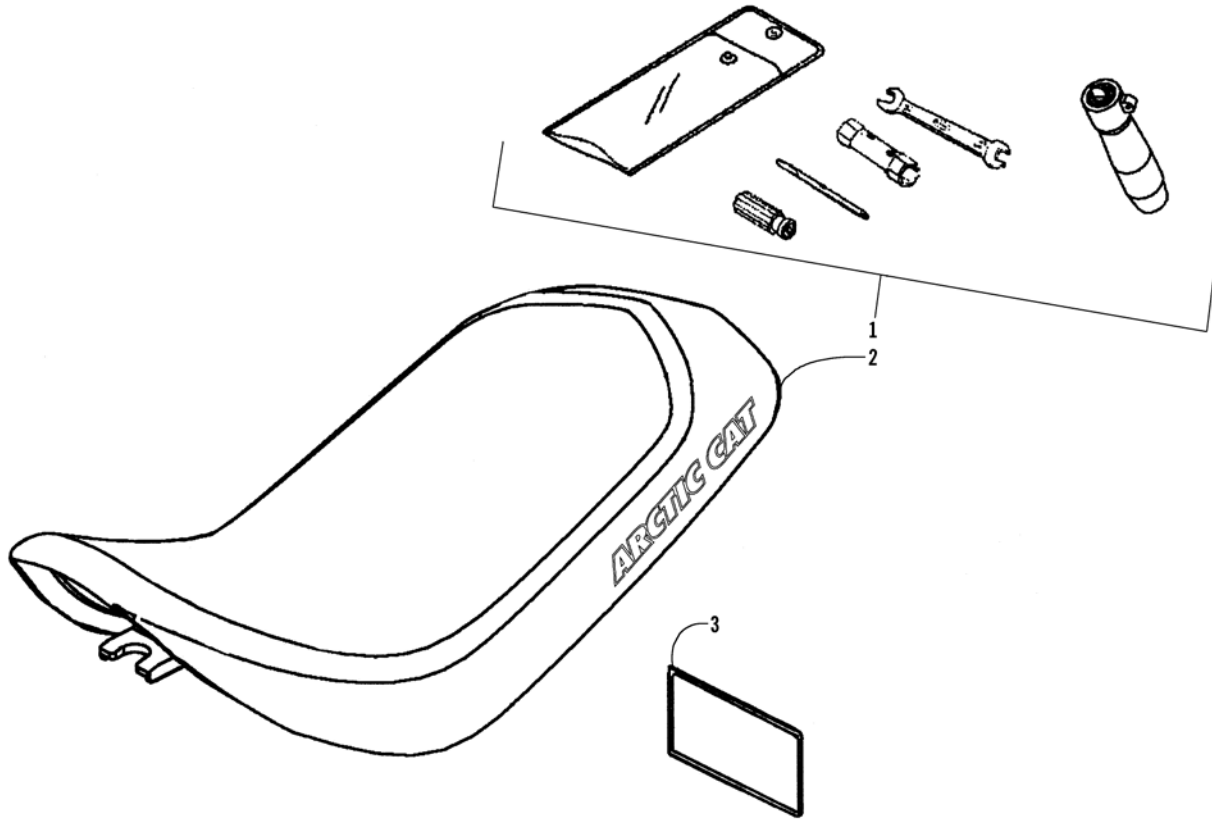
Ref.	Part No.	Qty.	Description	Ref.	Part No.	Qty.	Description
1	<a href="#">3303-132</a>	1	Regulator, Voltage	8	<a href="#">3303-142</a>	1	Resistor
2	<a href="#">3303-331</a>	2	Nut, Flange	9	<a href="#">3303-134</a>	1	Sub-Cord
3	<a href="#">3303-419</a>	1	Harness, Main (inc. 4)	10	<a href="#">3303-143</a>	1	Relay, Starter
4	<a href="#">3303-399</a>	2	¥ Fuse	11	<a href="#">3303-413</a>	1	CDI Assembly and Speed Control
5	<a href="#">3303-423</a>	1	Key - Set (inc. 6)	12	<a href="#">3303-125</a>	1	Coil Assembly - Ignition (inc. 13-14)
6	*	1	¥ Key	13	<a href="#">3303-252</a>	1	¥ Bolt, Flange
7	<a href="#">3304-060</a>	4	Cable Tie	14	<a href="#">3303-126</a>	1	¥ Cap, Noise Suppressor - Assembly



# BATTERY ASSEMBLY

0740-507

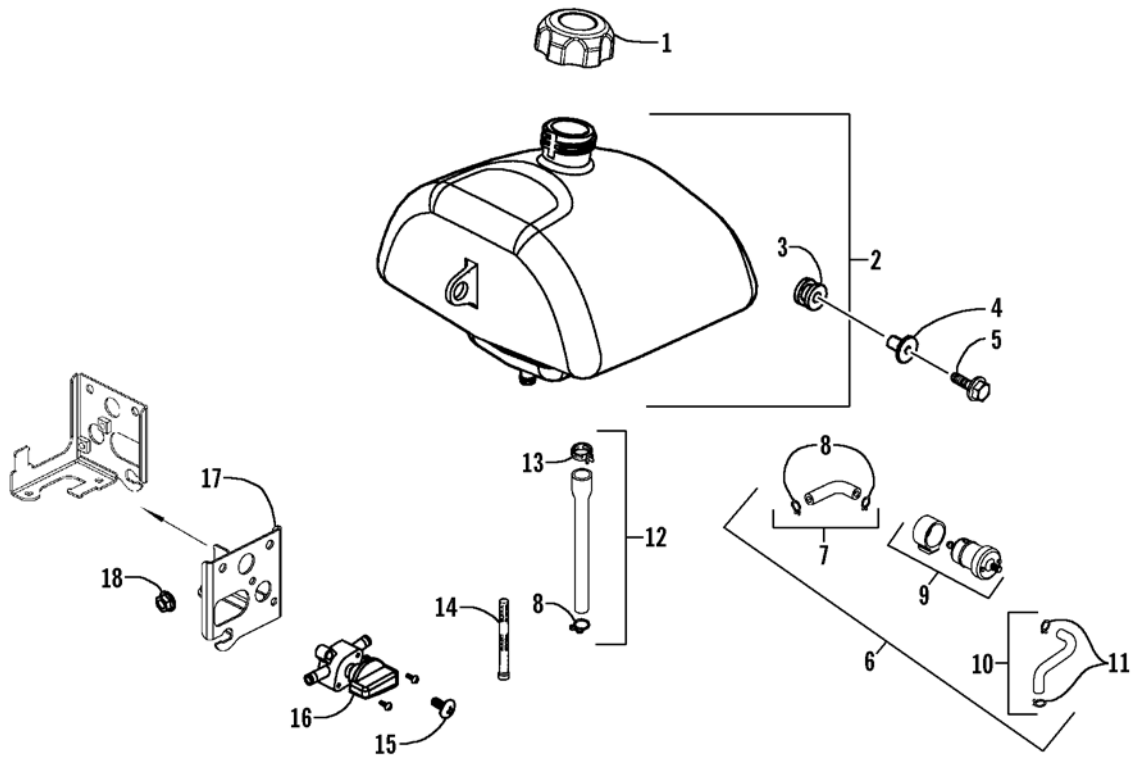
Ref.	Part No.	Qty.	Description	Ref.	Part No.	Qty.	Description
1	<u>3303-131</u>	1	Battery	3	<u>3303-263</u>	2	Bolt w/Washer
2	<u>3303-182</u>	1	Band, Battery				



## SEAT AND TOOL KIT ASSEMBLY

0740-524

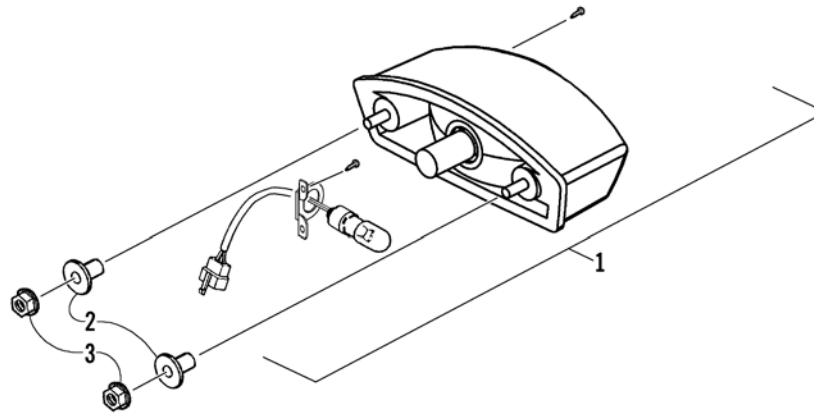
Ref.	Part No.	Qty.	Description	Ref.	Part No.	Qty.	Description
1	<u>3303-578</u>	1	Tool - Kit	3	<u>3303-242</u>	1	Band, Tool Kit
2	<u>3303-441</u>	1	Seat - Assembly				



## GAS TANK ASSEMBLY

0740-506 \*Not a Service Part

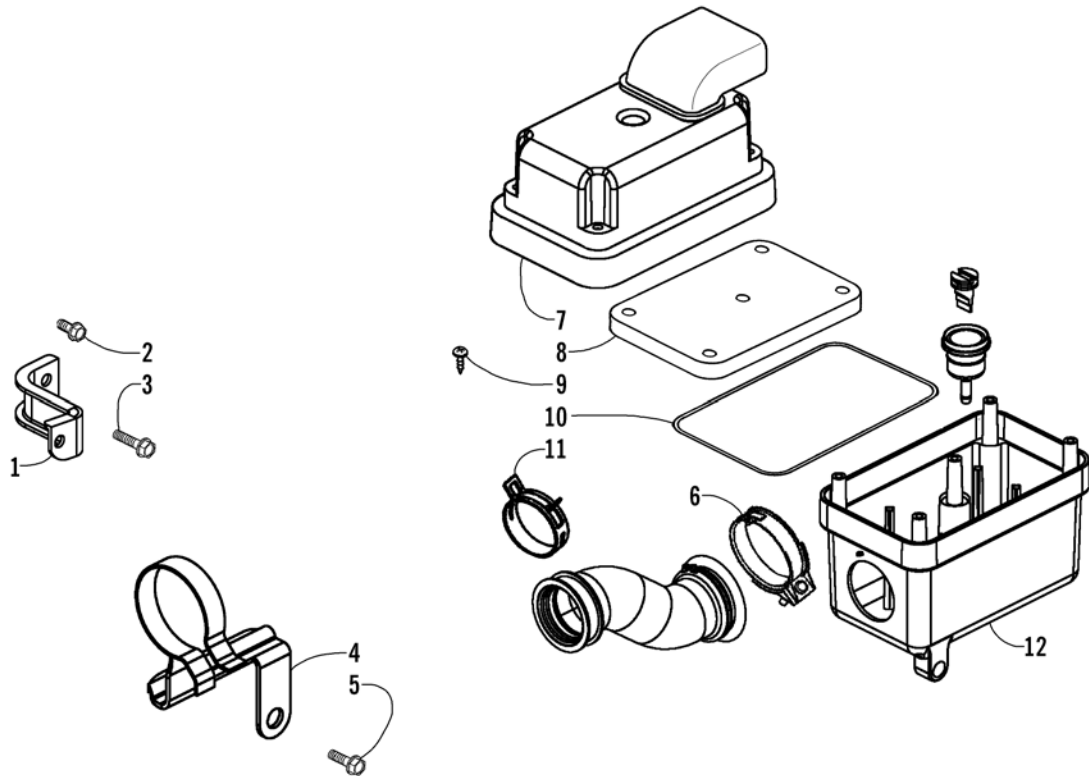
Ref.	Part No.	Qty.	Description	Ref.	Part No.	Qty.	Description
1	<a href="#">3303-067</a>	1	Cap, Gas Tank - Assembly	11	<a href="#">3303-348</a>	2	¥ ¥ Clip
2	<a href="#">3303-065</a>	1	Gas Tank - Assembly	12	<a href="#">3303-066</a>	1	Tube, Gas - Assembly (inc. one No. 8 and 13)
3	<a href="#">3303-406</a>	2	Rubber, Gas Tank	13	<a href="#">3303-351</a>	1	¥ Clamp
4	<a href="#">3303-226</a>	2	Collar, Front Fender	14	<a href="#">3303-058</a>	1	Screen, Fuel Strainer
5	<a href="#">3303-619</a>	2	Bolt, Flange	15	<a href="#">3303-316</a>	2	Screw
6	<a href="#">3303-056</a>	1	Strainer, Fuel - Assembly (inc. 7-11)	16	<a href="#">3303-057</a>	1	Valve, Shut-Off
7	<a href="#">3303-353</a>	1	¥ Tube, Gas - Assembly (inc. two No. 8)	17	<a href="#">3303-070</a>	1	Bracket, Shut-Off Valve
8	<a href="#">3303-349</a>	3	¥ ¥ Clip	18	<a href="#">3303-331</a>	2	Nut, Flange
9	*	1	¥ Strainer, Fuel				
10	<a href="#">3303-354</a>	1	¥ Tube, Gas - Assembly (inc. 11)				



## TAILLIGHT ASSEMBLY

0740-625

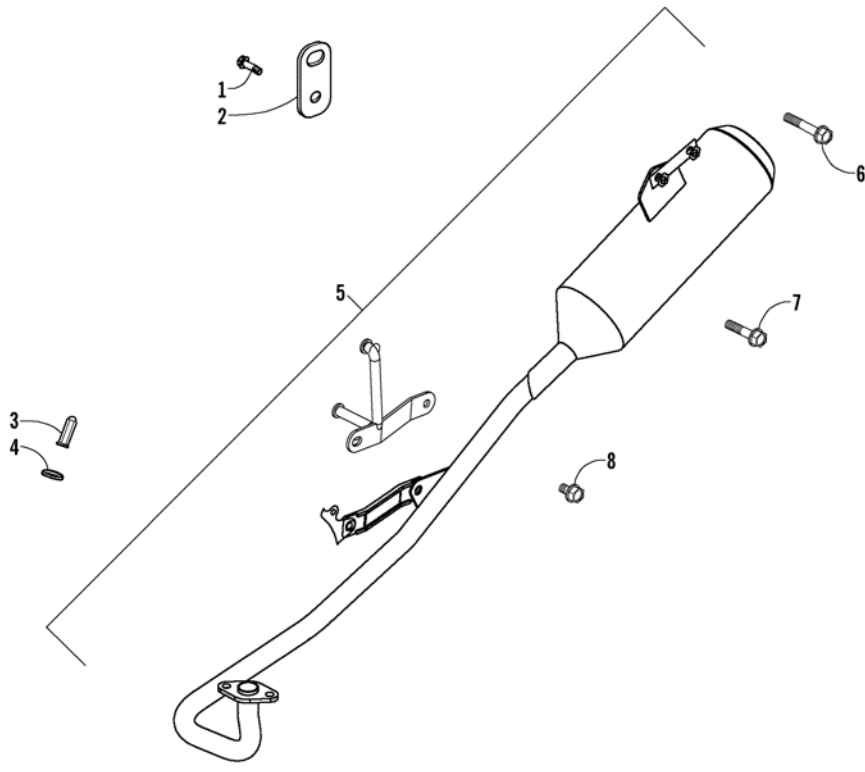
Ref.	Part No.	Qty.	Description	Ref.	Part No.	Qty.	Description
1	<u>3303-420</u>	1	Taillight - Assembly	3	<u>3303-331</u>	2	Nut, Flange
2	<u>3303-226</u>	2	Collar, Front Fender				



## AIR INTAKE ASSEMBLY

0740-508

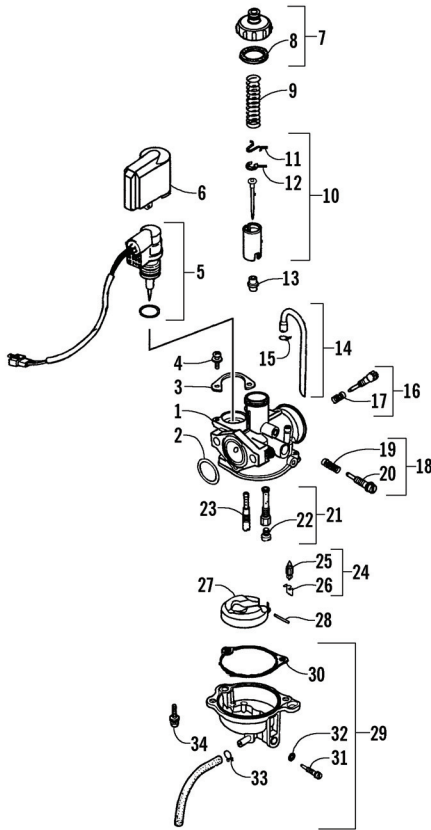
Ref.	Part No.	Qty.	Description	Ref.	Part No.	Qty.	Description
1	<u>3303-005</u>	1	Bracket, Mounting	7	<u>3303-062</u>	1	Cover, Air Cleaner
2	<u>3303-357</u>	1	Bolt, Flange	8	<u>3303-060</u>	1	Element, Air Cleaner
3	<u>3303-361</u>	1	Bolt, Flange	9	<u>3303-322</u>	5	Screw, Self-Tapping
4	<u>3303-287</u>	1	Clamp	10	<u>3303-063</u>	1	Seal, Air Cleaner
5	<u>3303-385</u>	1	Bolt, Flange	11	<u>3303-592</u>	1	Clamp
6	<u>3303-288</u>	1	Clamp	12	<u>3303-061</u>	1	Case, Air Cleaner



## EXHAUST ASSEMBLY

0740-623

Ref.	Part No.	Qty.	Description	Ref.	Part No.	Qty.	Description
1	<a href="#">3303-366</a>	1	Bolt, Flange	5	<a href="#">3303-407</a>	1	Muffler - Assembly
2	<a href="#">3303-073</a>	1	Bracket, Muffler	6	<a href="#">3303-369</a>	1	Bolt, Flange
3	<a href="#">3303-261</a>	2	Nut, Cap - 6 mm	7	<a href="#">3303-365</a>	1	Bolt, Flange
4	<a href="#">3303-071</a>	2	Gasket, Exhaust Pipe	8	<a href="#">3303-364</a>	1	Bolt, Flange

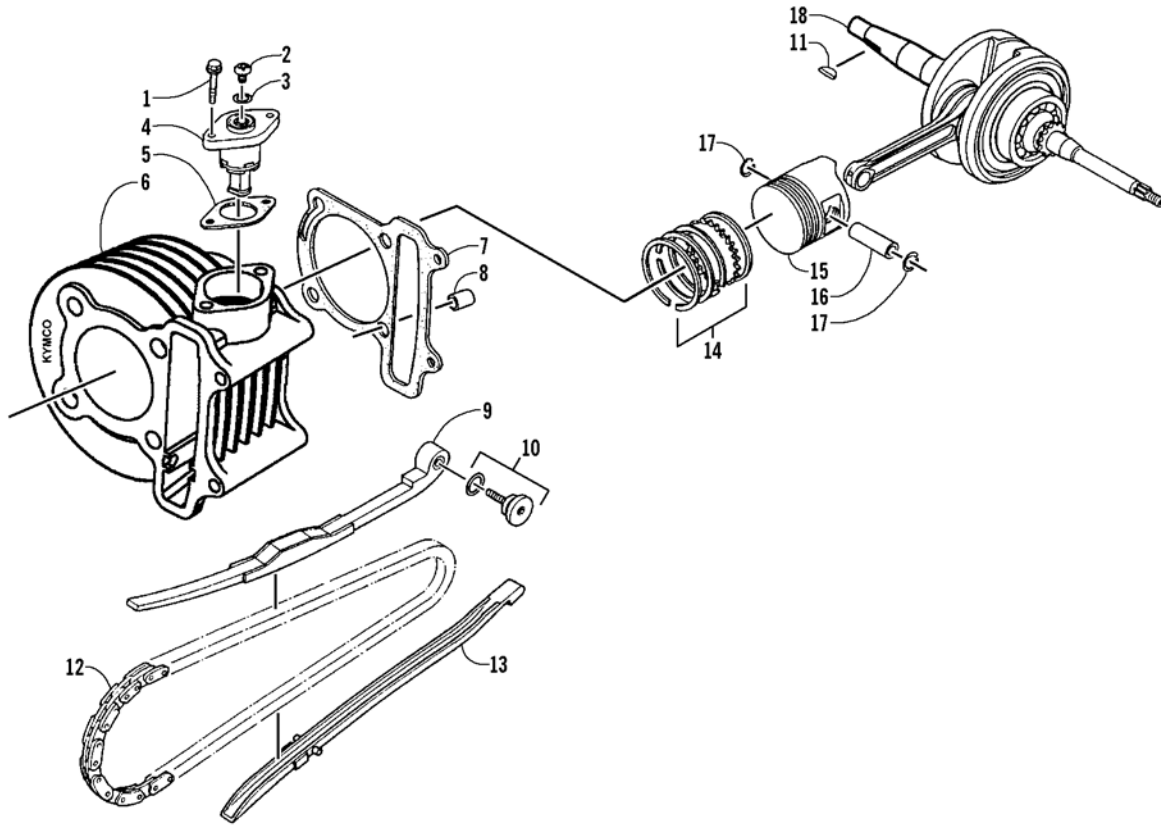


## CARBURETOR ASSEMBLY

(Complete Carburetor Assembly p/n 3303-405)

0741-045 \*Not a Service Part

Ref.	Part No.	Qty.	Description	Ref.	Part No.	Qty.	Description
1	*	1	Body, Carburetor	19	<u>3304-232</u>	1	¥ Spring, Compression
2	<u>3304-488</u>	1	O-Ring	20	<u>3304-478</u>	1	¥ Screw, Stop
3	<u>3304-471</u>	1	Set Plate	21	<u>3304-479</u>	1	Holder, Needle Jet - Assembly (inc. 22)
4	<u>3303-319</u>	2	Screw w/Washer	22	<u>3304-482</u>	1	¥ Jet, Main
5	<u>3304-470</u>	1	Automatic Bypass/Starter Assembly	23	<u>3304-489</u>	1	Jet, Slow
6	<u>3304-469</u>	1	Holder, Cap	24	<u>3304-490</u>	1	Valve, Float - Assembly (inc. 25-26)
7	<u>3304-462</u>	1	Set, Top (inc. 8)	25	<u>3304-483</u>	1	¥ Valve, Float - Set
8	<u>3304-463</u>	1	¥ Gasket, Top	26	<u>3304-484</u>	1	¥ Clip
9	<u>3304-464</u>	1	Spring, Compression	27	<u>3304-491</u>	1	Float Assembly
10	<u>3304-467</u>	1	Valve, Throttle - Assembly (inc. 11-12)	28	<u>3304-485</u>	1	Pin, Float Arm
11	<u>3304-465</u>	1	¥ Plate, Needle Clip	29	<u>3304-486</u>	1	Body, Float Chamber - Assembly (inc. 30-33)
12	<u>3304-466</u>	1	¥ Clip, Needle	30	*	1	¥ Gasket
13	<u>3304-468</u>	1	Needle Jet	31	<u>3304-243</u>	1	¥ Screw, Drain
14	<u>3304-473</u>	1	Tube, Rubber - Assembly (inc. 15)	32	<u>3304-239</u>	1	¥ O-Ring
15	<u>3304-474</u>	1	¥ Clip, Tube	33	<u>3304-452</u>	1	¥ Clip, Tube
16	<u>3304-475</u>	1	Screw, Adjustment - Assembly (inc. 17)	34	<u>3303-320</u>	2	Screw w/Washer
17	<u>3304-476</u>	1	¥ Spring, Compression				
18	<u>3304-477</u>	1	Screw, Stop - Assembly (inc. 19-20)				

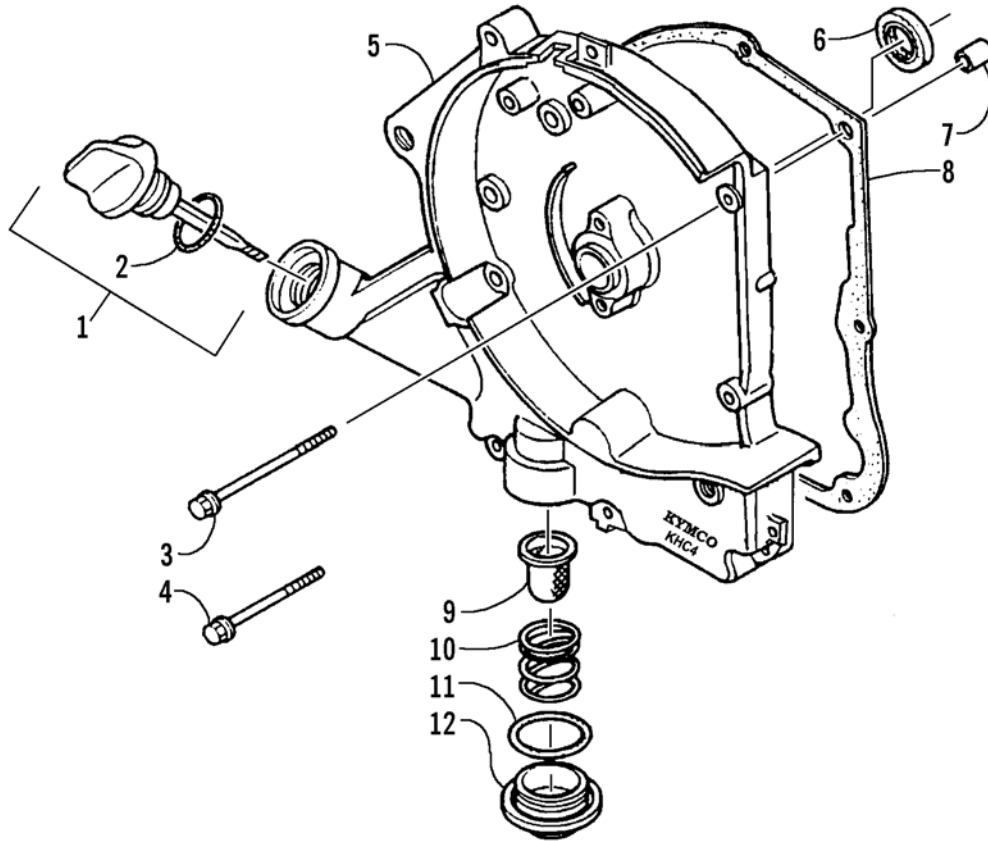


## PISTON ASSEMBLY

0740-495

Ref.	Part No.	Qty.	Description	Ref.	Part No.	Qty.	Description
1	<a href="#">3303-243</a>	2	Bolt, Flange	10	<a href="#">3303-036</a>	1	Pivot, Cam Chain Tensioner
2	<a href="#">3303-244</a>	1	Screw	11	<a href="#">3303-290</a>	1	Key
3	<a href="#">3303-100</a>	1	O-Ring	12	<a href="#">3303-030</a>	1	Cam Chain
4	<a href="#">3303-677</a>	1	Adjuster, Cam Chain	13	<a href="#">3303-037</a>	1	Guide, Cam Chain
5	<a href="#">3303-035</a>	1	Gasket, Cam Chain Adjuster	14	<a href="#">3303-024</a>	1	Ring, Piston - Set
6	<a href="#">3303-014</a>	1	Cylinder A	15	<a href="#">3303-025</a>	1	Piston
7	<a href="#">3303-015</a>	1	Gasket, Cylinder A	16	<a href="#">3303-026</a>	1	Pin, Piston
8	<a href="#">3303-342</a>	2	Pin, Dowel	17	<a href="#">3303-027</a>	2	Clip, Piston Pin
9	<a href="#">3303-034</a>	1	Tensioner, Cam Chain	18	<a href="#">3303-023</a>	1	Crankshaft

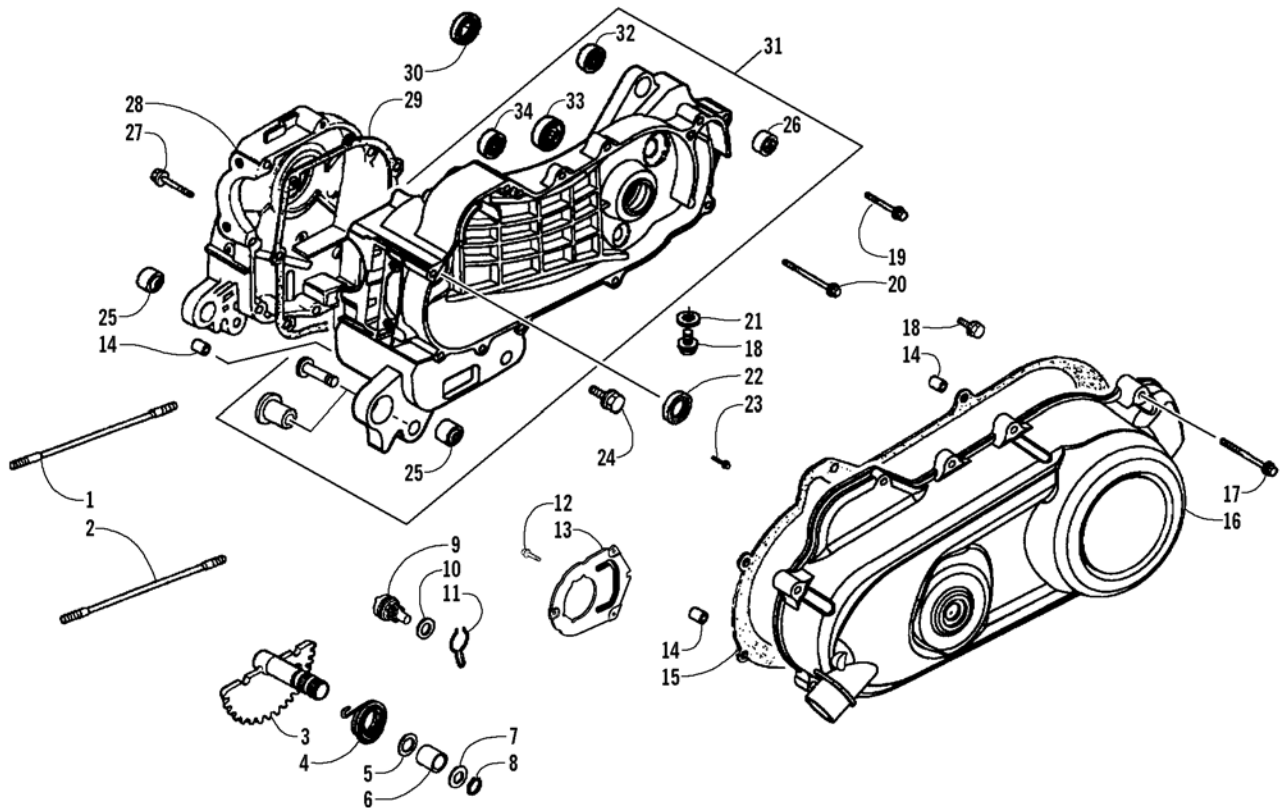




## CRANKCASE COVER ASSEMBLY

0740-498 \*Not a Service Part

Ref.	Part No.	Qty.	Description	Ref.	Part No.	Qty.	Description
1	<u>3303-050</u>	1	Gauge, Oil Level - Assembly (inc. 2)	7	<u>3303-341</u>	2	Pin, Dowel
2	*	1	∅ O-Ring	8	<u>3303-012</u>	1	Gasket, Crankcase
3	<u>3303-390</u>	4	Bolt, Flange	9	<u>3303-048</u>	1	Screen, Oil Filter
4	<u>3303-388</u>	4	Bolt, Flange	10	<u>3303-049</u>	1	Spring, Oil Filter Screen
5	<u>3303-475</u>	1	Cover, Crankcase (inc. 6)	11	<u>3303-096</u>	1	O-Ring
6	*	1	∅ Seal, Oil	12	<u>3303-021</u>	1	Hole Cap, Tappet Adjusting

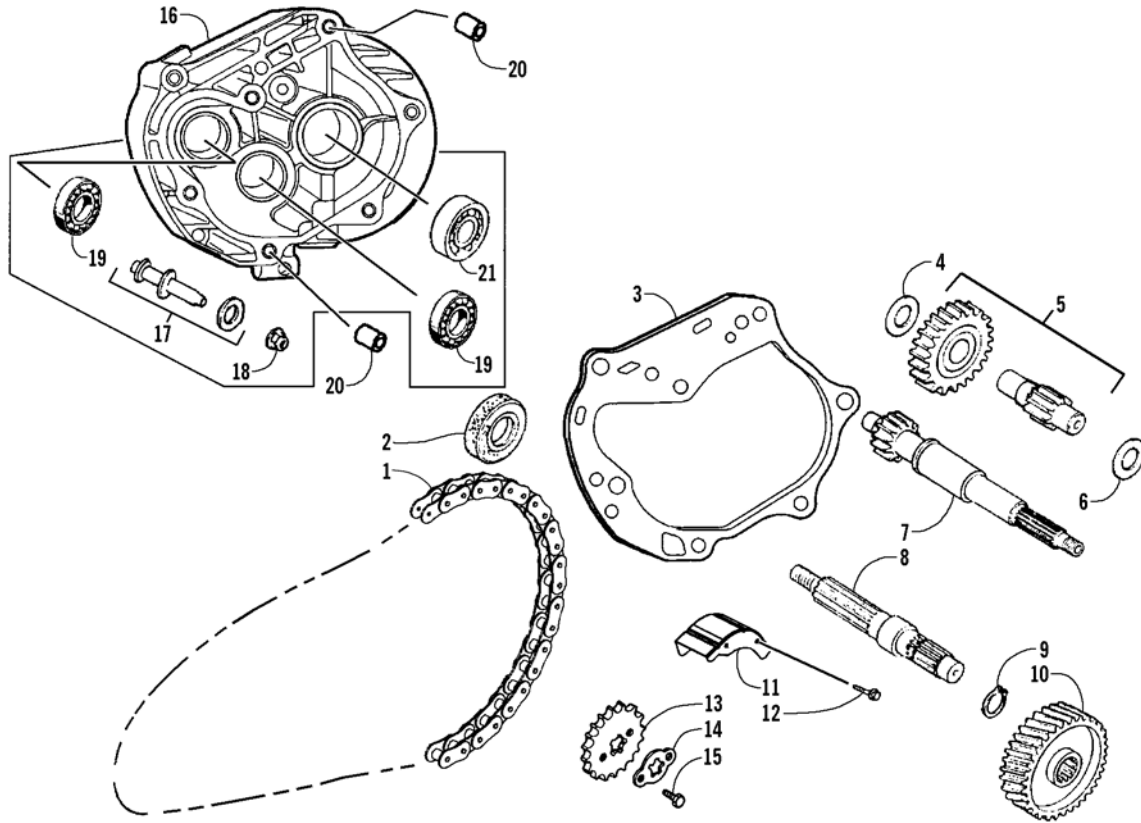


## CRANKCASE ASSEMBLY

0740-515

Ref.	Part No.	Qty.	Description	Ref.	Part No.	Qty.	Description
1	<u>3303-247</u>	2	Bolt, Stud	18	<u>3303-364</u>	2	Bolt, Flange
2	<u>3303-248</u>	2	Bolt, Stud	19	<u>3303-370</u>	5	Bolt, Flange
3	<u>3303-119</u>	1	Spindle, Kick Starter	20	<u>3303-372</u>	2	Bolt, Flange
4	<u>3303-122</u>	1	Spring, Return - Kick Starter	21	<u>3303-278</u>	1	Washer
5	<u>3303-121</u>	1	Collar, Boss - Kick Starter	22	<u>3303-296</u>	1	Seal, Oil
6	<u>3303-120</u>	1	Bushing, Spindle - Kick Starter	23	<u>3303-385</u>	1	Bolt
7	<u>3303-276</u>	1	Washer, Spindle - Kick Starter	24	<u>3303-283</u>	1	Bolt, Drain Plug - Assembly
8	<u>3303-345</u>	1	Circlip	25	<u>3303-402</u>	2	Bushing, Rubber - Engine Hanger
9	<u>3303-118</u>	1	Gear, Driven - Kick Starter	26	<u>3303-403</u>	2	Bushing, Rubber - Rear Cushion
10	<u>3303-272</u>	1	Washer, Thrust	27	<u>3303-387</u>	1	Bolt, Flange
11	<u>3303-117</u>	1	Spring, Driven - Kick Starter	28	<u>3303-400</u>	1	Crankcase, Set - Right
12	<u>3303-391</u>	3	Bolt	29	<u>3303-003</u>	1	Gasket, Crankcase - Right
13	<u>3303-009</u>	1	Plate, Cover	30	<u>3303-299</u>	1	Seal, Oil
14	<u>3303-342</u>	4	Pin, Dowel	31	<u>3303-004</u>	1	Crankcase, Set - Left
15	<u>3303-013</u>	1	Gasket, Crankcase Cover - Left	32	<u>3303-459</u>	1	Bearing, Ball
16	<u>3303-008</u>	1	Cover, Crankcase - Left	33	<u>3303-464</u>	1	Bearing, Ball
17	<u>3303-386</u>	7	Bolt, Flange	34	<u>3303-465</u>	1	Bearing, Ball

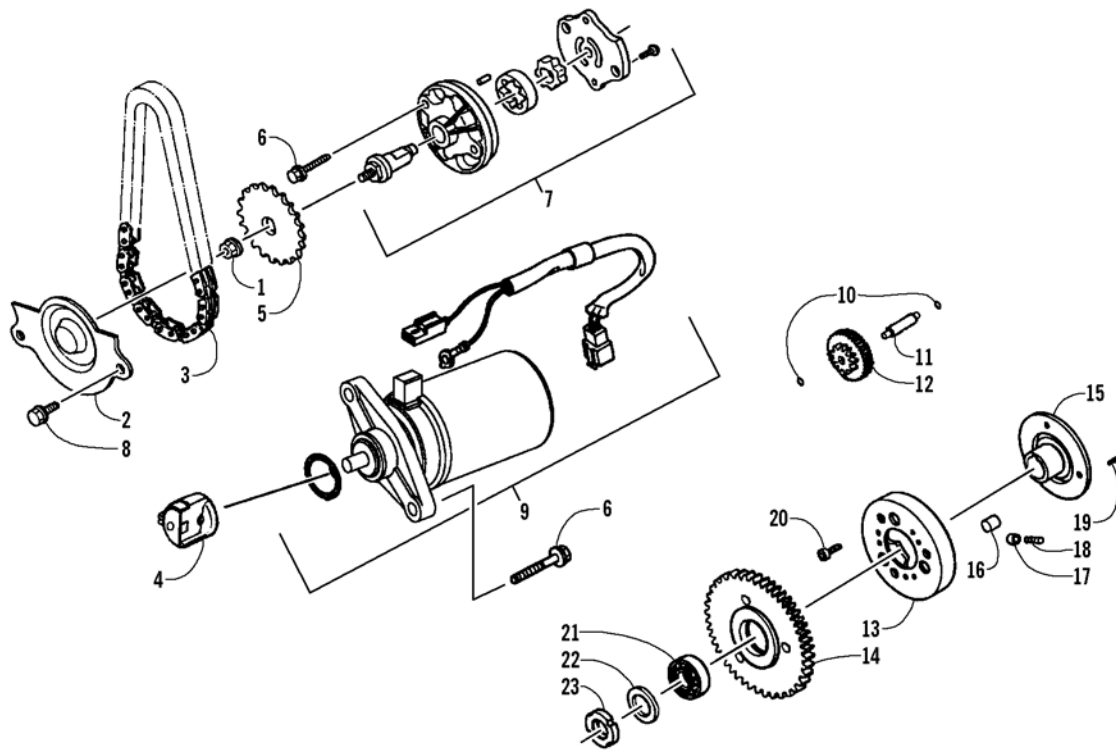




## TRANSMISSION ASSEMBLY

0740-486 \*Not a Service Part

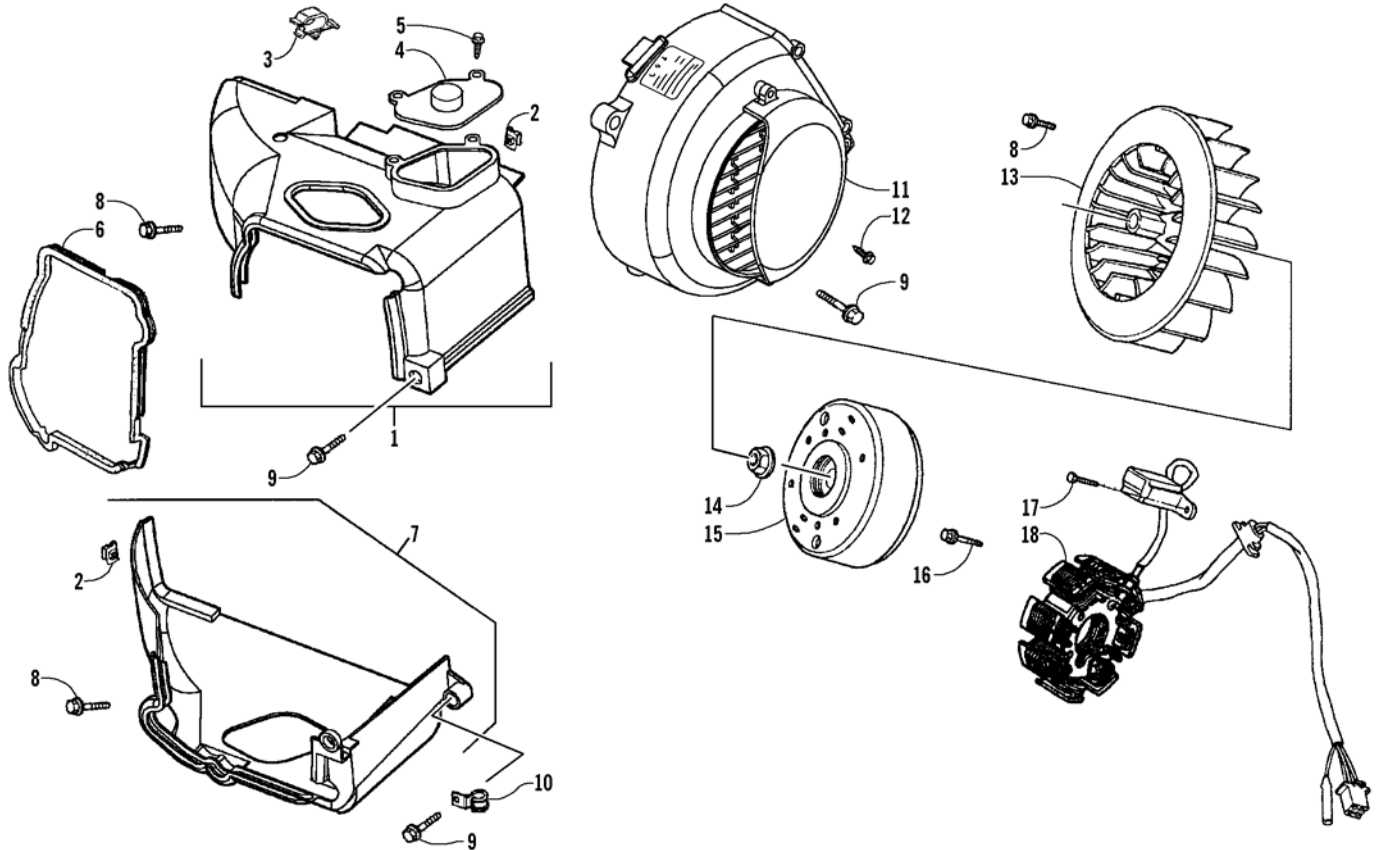
Ref.	Part No.	Qty.	Description	Ref.	Part No.	Qty.	Description
1	<u>3303-425</u>	1	Chain, Drive	12	<u>3303-380</u>	2	Bolt, Flange
2	<u>3303-300</u>	1	Seal, Oil	13	<u>3303-107</u>	1	Sprocket, Drive
3	<u>3303-081</u>	1	Gasket, Transmission Case A	14	<u>3303-108</u>	1	Plate
4	<u>3303-273</u>	1	Washer	15	<u>3303-307</u>	2	Bolt
5	<u>3303-104</u>	1	Countershaft - Assembly	16	<u>3303-080</u>	1	Case, Transmission - Set (inc. 17-18)
6	<u>3303-276</u>	1	Washer	17	*	1	¥ Pin, Brake Shoe Anchor - Assembly
7	<u>3303-103</u>	1	Driveshaft	18	*	1	¥ Nut, Flange
8	<u>3303-105</u>	1	Shaft, Final	19	<u>3303-596</u>	2	Bearing, Ball
9	<u>3303-344</u>	1	Circlip	20	<u>3303-343</u>	2	Pin, Dowel
10	<u>3303-106</u>	1	Gear, Final	21	<u>3303-458</u>	1	Bearing, Ball
11	<u>3303-144</u>	1	Cover, Chain				



## STARTER MOTOR AND OIL PUMP ASSEMBLIES

0740-500

Ref.	Part No.	Qty.	Description	Ref.	Part No.	Qty.	Description
1	<a href="#">3303-331</a>	1	Nut, Flange	13	<a href="#">3303-112</a>	1	Clutch, Outer
2	<a href="#">3303-051</a>	1	Separator, Oil	14	<a href="#">3303-111</a>	1	Gear, Starter
3	<a href="#">3303-047</a>	1	Chain, Oil Pump	15	<a href="#">3303-115</a>	1	Boss, Starter Clutch
4	<a href="#">3303-130</a>	1	Holder, Starter	16	<a href="#">3303-293</a>	3	Roller
5	<a href="#">3303-046</a>	1	Sprocket	17	<a href="#">3303-114</a>	3	Roller, Starter
6	<a href="#">3303-384</a>	4	Bolt, Flange	18	<a href="#">3303-113</a>	3	Spring, Roller - Outer Clutch
7	<a href="#">3303-046</a>	1	Pump, Oil - Assembly	19	<a href="#">3303-395</a>	1	Roller
8	<a href="#">3303-381</a>	2	Bolt, Flange	20	<a href="#">3303-396</a>	3	Bolt
9	<a href="#">3303-556</a>	1	Motor, Starter - Assembly	21	<a href="#">3303-292</a>	1	Bearing, Ball
10	<a href="#">3303-282</a>	2	Washer	22	<a href="#">3303-285</a>	1	Circlip
11	<a href="#">3303-110</a>	1	Shaft, Starter Reduction	23	<a href="#">3303-258</a>	1	Nut
12	<a href="#">3303-109</a>	1	Gear, Starter Reduction				



## STATOR, FLYWHEEL, AND ENGINE SHROUD ASSEMBLIES

0740-502 \*Not a Service Part

Ref.	Part No.	Qty.	Description	Ref.	Part No.	Qty.	Description
1	<u>3303-079</u>	1	Shroud B - Assembly (inc. one No. 2 and 3-5)	10	<u>3303-443</u>	1	Clip, Vacuum Tube
2	*	3	¥ Clip, Nut	11	<u>3303-516</u>	1	Cover, Fan - Assembly (inc. 12)
3	*	1	¥ Clip, Routing	12	<u>3303-606</u>	3	¥ Screw, Self-Tapping
4	*	1	¥ Grommet	13	<u>3303-075</u>	1	Fan, Cooling
5	*	2	¥ Screw, Self-Tapping	14	<u>3303-333</u>	1	Nut, Flange
6	<u>3303-077</u>	1	Seal, Shroud	15	<u>3303-127</u>	1	Flywheel
7	<u>3303-078</u>	1	Shroud A - Assembly (inc. two No. 2)	16	<u>3303-383</u>	2	Bolt, Flange
8	<u>3303-382</u>	6	Bolt, Flange	17	<u>3303-308</u>	2	Bolt
9	<u>3303-384</u>	3	Bolt, Flange	18	<u>3303-128</u>	1	Stator - Assembly

# RELATED ITEMS

## 2006 ATV 90 Y-12 Youth - DVX

Red (Model No. A2006KSB2BUSR)

Cat Green (Model No. A2006KSB2BUSZ)

0436-431 Cover, Green and Black  
2257-450 Manual, Illustrated Parts  
2257-317 Manual, Operator's (E)  
2257-318 Manuel d'utilisation (F)

0436-005 Oil, Engine - 10W40  
0436-003 Oil, Engine - 5W30  
0436-447 Windshield

